



America's Boating Club Lehigh Valley

DELHIGHLIGHTS



District 5

AUGUST-SEPTEMBER 2020

VOLUME 61 ISSUE 3



Commander's Corner

Cdr Keith Knoblach, AP

In This Issue:

- Cdr's Corner Page 1
- Photos of Events Pages 2-5
- Upcoming Events Pages 6-10
- VSC and Birthdays Page 11
- Officers' Reports Pages 11-13
- Nat'l & Dist. News Page 14
- Safe Boating Page 15
- A Bit of Fun Page 16
- List of Officers Page 16
- Calendar Page 17

Hello everyone, hope you are all having a good summer even with the restrictions we are under. Happy Belated Memorial Day and Fourth of July.

The weather has been decent so far this summer with some hot days to entice us into getting out on the water. Having to practice social distancing has made many impatient. I have been out a few times and everyone seems to be in such a hurry that they forget how to be safe on the water. Be cautious of others around you.

Although many of our scheduled events have canceled or have been altered or replaced, it is nice to hear and see everyone at our zoom meetings and zoom social hours. Our Summer Rendezvous was a one day affair, taking our boats to Blue Marsh Lake and just having a good time on the water and rafting up for lunch. After retrieving our boats we had a small cookout at the Nowroozani's residence.

Thank you to everyone for staying safe and practicing social distancing, wearing a mask and being smart in all we do. Keep doing what needs to be done to stay safe and healthy. Get out to do what you enjoy, maybe a cookout in the backyard or walking for exercise. Hope you get to spend some time on the water. Be safe in all that you do, be kind and patient, help others and have fun. Keep a firm hold on safety.

Delhighlights is the official publication of the Delhigh Power Squadron, a unit of United States Power Squadrons®, **District 5**, and is published bi-monthly.

Editor: Kathleen Nowroozani, SN

Most squadron meetings are held monthly at :

Star of Bethlehem Lutheran Church
514 3rd Avenue
Bethlehem, PA 18018

Delhigh website: www.delhigh.org
D/5 website: www.uspsd5.org
USPS website: www.americasboatingclub.org



Visit our website here:
www.delhigh.org



America's Boating Club® is a registered trademark of the United States Power Squadrons®

Trailerboat Rendezvous And BBQ



Delhigh Power Squadron



Kathleen, Chris, Michael, Cyrus and Oliver on Last Call.



Sergio at the helm of Keith's boat.



Sergio, Michele and Keith on Keith's boat with the commander's flag flying.



Sergio, Michele and Keith enjoying lunch.



Captain Oliver with Cyrus, Chris, Michael and Kathleen on Last Call with the Past Commander flag flying.



Sergio, Michele and Keith in the back. Chris, Michael, Oliver, Kathleen and Cyrus enjoying a day on the lake.



Chris and Michael happy to be out on the water.



After the lake BBQ with Keith, Chris, Ed, Michael, Cyrus and friends, Jim and Melissa enjoying the weather.



Michael, Jim and Cyrus cooling off in the pool.





Mary Lee and Mark, Kathleen and Cyrus, Brent, Ed, Fran, Sergio and Michele, Keith, Michelle and Fernando and Michael on our Zoom Happy Hour June 3rd.



Members arriving for our June Meeting. Michael, Kathleen and Bob, Brent, Ed and Eileen, Fran and Chris.



Mary Lee and Mark, Kathleen and Cyrus, Fran, Sergio and Michele, Keith and Kim, Michelle and Fernando, Ed and Russ and Amy June 3rd.



Forget who said something funny but I was happy to get this picture just after adjourning the meeting of everyone enjoying a good laugh together. Brent, Kathleen, Bob, Ed, Eileen, Fran, Chris (video), Keith, Jeanette, Michael and Chris (audio).



Mary Lee and Mark, Kathleen, Ed and Eileen, Brent, Doug and Kathy, Fran, Michelle and Fernando, Nikki, Sergio and Michele and Chris at our June 17th Happy Hour.



Beltzville Lake Clean-Up



Kathleen, Michele, Sergio, Oliver, Fernando, Michelle, Cyrus, Keith, Chris, Michael and Bob after a successful clean-up.



Sergio and Michele ready to get started.



Michelle, Oliver, Fernando, Cyrus and Kathleen posing for a picture while looking for trash.



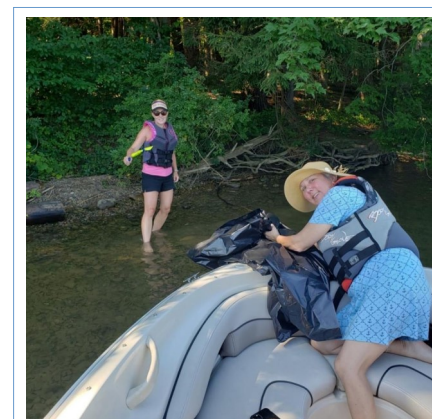
Bob, Chris and Keith heading out in search of trash.



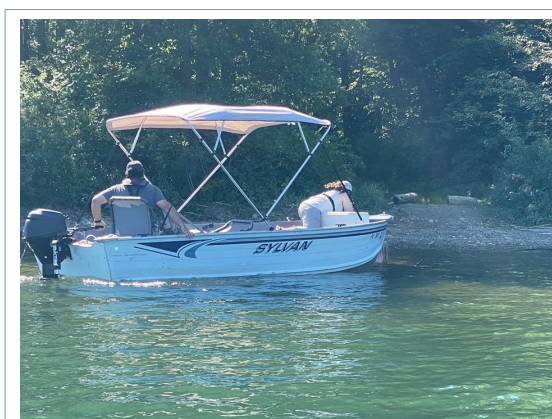
Sergio showing off the golf club he took out of the water.



Oliver and Michelle picking up a water bottle floating in the middle of the lake.



Kathleen found a bright green shovel.



Michele picking up a towel and sunglasses that had been left hanging over a branch.



Social Hour



Oliver, Fernando, Michelle, Fran and Diane eating dinner.



Michelle and Fernando grabbing some hot dogs.



Kathy, Michelle, Fernando, Fran Diane, Chris, Doug, Mary Lee, Mark, Kathy and Michele just after dinner.



Mark keeping the fire going.



Samantha and Jeffrey hanging around.



Mary Lee shooting clays with Oliver pulling for her.



Cyrus and Doug shooting with Sergio pulling clays.



Fernando, Michelle, Michele, Sergio, Mary Lee, Doug, Kathy, Oliver and Cyrus posing for a picture with the clay thrower.



End of the night fireworks by Oliver and Cyrus.





zoom



With ABC/LV

Wednesday, July 29
7pm

Grab a snack and a drink,
get comfy in your own
home and meet us online!

Kathleen will email out the
link a few days before.
Please let her know at
k.now@mac.com if you do
not receive the link and
would like to join.

We will be having more and
will email out the dates as
they get closer.



Wednesday, August 12
6pm

Montuori Residence
1236 Treeline Drive
Allentown

Bring your favorite flavor of ice cream
Or a new flavor to try!
Bowls, spoons and toppings will be pro-
vided!

Since Ice Cream is not dinner
Hot Dogs will be provided and
Macaroni and Cheese

Please RSVP to
Kathleen at k.now@mac.com
Or (610) 351-5192



Trailerboat Rendezvous



Saturday, August 29

Ridley Park Marina

Swarthmore Ave Boat Ramp

401 South Swarthmore Ave, Ridley Park

Meeting time at the ramp is TBD.

We will spend the afternoon on the river if Stingers Waterfront Restaurant is open. Should restaurants still be closed we will reschedule closer to home so that we can BBQ afterwards.

RSVP to Kathleen at k.now@mac.com or (956) 240-5553 and let us know how many extra seats on your boat or how many seats you need on another boat.



And September Meeting

Wednesday, September 2

6:30pm

at Star of Bethlehem Lutheran
Church

Bring your favorite chili recipe or find a new one.

Feel free to try chicken or steak or green chili, think outside the box!

Then enjoy a taste of all the chili before our September meeting!





Saturday, September 19th
5pm

Nowroozani Residence

Tacos, chips and salsa and guacamole will be served.

Please bring a bottle or a six pack to taste and share or an appetizer, side dish or dessert.

RSVP to Kathleen at
k.now@mac.com
Or (610) 351-5192



America's Boating Club
Lehigh Valley

Invites you to our annual

Sporting Clay Outing

Lehigh Valley Sporting Clays
2750 Limestone Street
Coplay, PA 18037

Saturday, October 10th
10am

Come one come all to the 8th annual Sporting Clays event! New shooters and old hats are all welcome!

Approximate cost per person is
\$40.00

Please RSVP to Cyrus at
c_nowroozani@yahoo.com
or (956) 240-5554
with the names of everyone in your group and whether or not you are new to shooting.





“PLEASE KEEP THIS DATE OPEN”

**Delhigh's Land Navigation Contest
The 21st Annual Fall Road Rally
October 24, 2020
*----Rain or Shine----***



Uncertain Times:

With all that is going on in uncertain times today, we are looking forward to a good turn out. Your Committee has worked hard to put this Rally together. This event is a fund raiser for our Squadron. This year will be different from the start.

- ** We will have a virtual instruction session on Wed. Oct. 21, 2020 at 7:00 pm. Please plan to join us.
- ** Please have breakfast at home or somewhere of your choice and have your gas tank filled. We will meet at 10:00 a.m. in the Stefko Shopping Center parking lot at 1838 Stefko Blvd., Bethlehem, PA 18017. Look for my car for your last minute instructions and packets to start your adventure.
- ** My car will have an orange traffic cone on the roof. (Need help call me at **(610) 730-2798**).

This is not a “race”.

It is a day spent with your family, a spouse, a friend or companion, for a drive on roads that you would probably never think to travel. It seems to be more fun having four people in a vehicle looking for pictures.

Please invite your friends. The more entries we have makes for a more enjoyable day. The object is to follow the directions, look for the pictures enclosed along the way, answer a few questions and just enjoy the day and the scenery.

Find your way to the half way point, turn in your first set of instructions and receive your second half of instructions to get you to the final destination for dinner.

We will end at a place to eat good food, have fun and share good fellowship. Prizes will be awarded for 1st, 2nd, 3rd and last place. There will also be a raffle.

All of our past rallies have proven to be a world of fun, enjoyment and a challenge for the driver and his partner, called the Navigator. Communication between driver and navigator is a plus.

It's simple. **Follow the directions; know right, left and how to count! Just enjoy!!!**
We are looking forward to seeing everyone again.



Your Road Rally Committee



Road Rally Reservation Form



Delhigh Power Squadron

Reservation Form 'MUST' be returned by Oct. 14, 2020

Send a completed form and check made payable to:
'Delhigh Power Squadron'

Send to:
P/C Michael Lebeduik, III, JN
3514 Nicholas St.
Easton, PA 18045

Questions:
Cell Phone: (610) 730-2798
Email: TJA.ML3@verizon.net

=====

Of people attending: _____ # Of children under 10 years old: _____
(Children under 10 yrs. old -- \$20.00)

Of cars participating: _____

Is this your first "Road Rally" with Delhigh? YES _____ NO _____

Your Email: _____

If a USPS Member
What Squadron: _____

Your Phone #: _____

NAME of individuals in car: Driver: _____

Navigator: _____

Crew: _____

Menu will be: **'Buffet Style Dinner'**

Prime Rib: (Roasted Prime Rib Sliced with Wild Mushroom Gravy)

Lobster Parpadelle: (Maine Lobster Meat Tossed in Lemon Tarragon Cream Sauce with Shiitake Mushrooms and Lump Crab Meat)

Chili Plum Glazed Salmon: (Faroe Island Salmon with Chili Plum Sauce Over Garlic Bok Baby Choy)

Garden Fresh Salad Roasted Garlic Herb Mash Potatoes
Chefs Choice of Vegetables Regular and Decaf Coffee, Hot Tea and Soda
Rolls with Butter Dessert
*(Alcoholic Beverages are on your own tab.)

(Number of people) _____ x 42.00 = Total:\$ _____

COME AND ENJOY THE DAY!!!!

"Only YOU can help make this another successful Event!"





VSC Safety Corner
By: P/C Michael Lebeduik, III, JN

Here we are again, another two months have gone by and states are still having issues because of Covid-19. Some boaters are trying to get in as much on the water time as possible because this will be a short boating season and others are chalking this season up.

Today, is July 18 at the Betzville Clean-Up. Let today bring many VSC's. 8:30a.m. and here comes one??? Yes, he wants one. He had one last year and needs one today but will he pass? Yes, all of the required items to be checked passed. He is awarded a 2020 VSC Decal.

Here comes another, another and another, all needing a VSC. Hi, would you like a courtesy VSC? Some say 'No, I have everything. We want to get on the water.' Just looking at the boat we see many items to be corrected but the owner knows best. He wants to get on the water at the expense of his family.

This is how the day went. We did manage to complete twenty-two Vessel Safety Checks. Twelve passed, ten failed, the common items that failed the inspection were fire extinguishers out of date by years, lights not working and registration at home on the desk. It was a good day.

We hope you are enjoying the summer. Have a good boating season and be safe.



August

- 8 - P/C Jeanette Meisner, AP
- 11 - 1st/Lt Ed Muschlitz, SN
- 16 - P/D/C L. Chris Brown, SN
- 20 - Amy Fontana
- 27 - P/Lt/C Donald Ludwig, AP

September

- 1 - Eileen Muschlitz
- 6 - P/C Rich Norris, SN
- 23 - P/C Michael Lebeduik, III, JN



Click to go to [America's Boating Channel™](#) to see videos about safe boating and boating education!



Executive Officer's Report
Lt/C Robert Rendish, P



As a trailer boater, being prepared to drive, launch, retrieve and of course boat at your water destination is very important. Making sure the boat's systems are functioning properly, equipping the boat with the necessary gear, fenders, lines, anchor, tow lines, other possible gear and of course ample and USCG approved PFDs (personal flotation devices) is all very important and vital to safe boating.

How about your boat trailer? Ask any of my friends who have had the pleasure of being invited to our Annual Raystown Lake Boating and Camping trips over the last 15 years or so. In that time we've had great times on and off the water.

However, driving out and driving back from Raystown Lake, located outside the small town of Huntingdon in Huntingdon County, PA has been over some years, a sort of curse for me. For now we won't talk about the tow vehicle breakdowns. This is about the boat trailer, proper maintenance and being prepared for the inevitable breakdown.

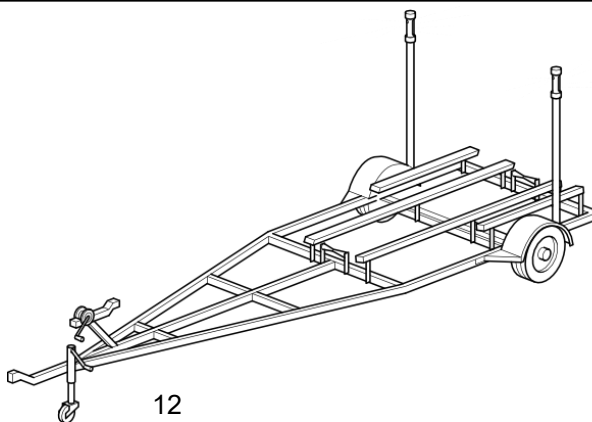
I normally maintain my trailer fairly well. Wash it and the boat when I can, checking the winch strap and winch operation, tie down straps, the bunks, the trailer frame and the tires and wheel bearings. However, a couple of years ago, while heading to Lake Wallenpaupack with the boat for the weekend, motoring on Rt. 380, I suddenly felt a huge drag on the rig and looking out my side mirror I saw that the left side tire and wheel were gone and a small fire had started. The cause of this breakdown was improper maintenance of the Bearing Buddies, namely, not having enough proper grease packed in the bearings. This was my oversight of not checking the bearings.

Another incident occurred while we were coming back from Raystown on a Tuesday afternoon around 4:30pm on Rt. 322 just north of Harrisburg. Here we were moving along nicely when I had a blow out of the port side tire. Fortunately, we had ample room on the shoulder to change the tire. My friend Randy and I replaced the damaged tire almost as fast as the Woods Brothers changed tires and fueled A.J. Foyt's racing car. This time the cause was unknown and Mark searched for my missing fender which was never found.

Just this past June, while driving out to Raystown Lake, I blew another tire. Yes, you guessed it, the left side again. This time we were able to recover the fender after Mark and I changed the tire on a very busy part of Rt. 78. This was a dangerous area that we were in with trucks and cars passing by too close for comfort. That location was a bad one.

So, the take away from this story is to spend ample time on the care and maintenance of your boat trailer. Check the bearings, wheels, tires and the rest of the trailer, like the coupling and safety chains, not to mention all the lights to make sure they are all working every time because if the trailer is down for maintenance, your boat isn't going anywhere!

Happy and safe boating. To the Breezes!



Administrative Officer's Report
P/C Kathleen Nowroozani, SN

Educational Officer's Report
Lt/C Doug McKenzie, JN

It has been really nice to start seeing some of you at live events again! I know that we are not all ready to do this and that is perfectly fine, we are still having Zoom happy hours to visit with those of you that are hanging at home.

Our Summer Rendezvous was our first in person event that we have had since March and it was a great day to be on the lake and in the pool. Cyrus BBQs a mean burger and nobody went home hungry.

We had our postponed Beltzville VSC and Lake Clean up event as well. It was a lot cleaner on the lake than most years but Sergio was the big winner finding a 3 wood golf club! Instead of eating at a restaurant we rafted up in the shade and brought our own sandwiches. We also completed 22 vessel safety checks.

We have our postponed ice cream social in place of the cancelled Iron Pigs Game and August Meeting. Hot dogs and macaroni and cheese with ice cream dessert is always a good time on the Montuori porch.

Our Fall Trailerboat Rendezvous in August is planned for Ridley Park Marina near Philly if we can eat in the restaurant at the marina. Should restaurants still be closed we will choose a closer lake and likely BBQ afterwards. We will keep you updated as the date approaches, feel free to RSVP so we know who needs information.

Tacos and Social Hour is planned for the Nowroozani House in August as well. A casual meal and drinks and an evening of boat stories.

The September meeting brings one of my favorite nights with the Chili Cook-Off. Delicious chili's and a prize for 1st place make a great pre-meeting meal.

I hope that everyone is staying safe as you do or do not start to venture away from the house. We are ready to see you when you are comfortable doing so, and in the meantime we will continue to Zoom.

Ahoy Mates! I hope you all have been able to take advantage of this nice weather and get out on the water! I'm still looking for my next boat and travel restrictions are making it difficult, but boat shopping is really the only kind of shopping I enjoy!

As you know, we finished the new Boat Handling class in May and it was a real pleasure using the new and improved material. USPS is doing a great job updating all it's courses. I can't wait to get a look at the new Marine Navigation (Piloting) in the Fall.

I'm hoping we can get together for class again soon but we learned a lot from using Free Conference Call and will do that again if we need to.

Delhigh is planning on running the instructor recertification class again this Fall. Class will be held at the Nowroozani's home if COVID permits on Sept 26th. As SEO it makes me proud to know so many of our members get involved in the education of our community. A big Thank You to all our educators.





USPS NATIONAL NEWS

DISTRICT 5 NEWS



2020 Fall Governing Board

Raleigh, North Carolina

Come Learn our History and Meet Headquarters Staff

The 2020 Fall National Governing Board will be held in Raleigh, North Carolina (September 8-13). In addition to accomplishing lots of work for the organization, the national meetings committee has planned some wonderful offsite events. Tours of the headquarters building, including the library and board room, the warehouse, the shipping center and the various offices will be the highlights. In addition, there will be a cocktail hour at the hotel with the staff in attendance. Come meet the wonderful people who help solve your challenges! There are three opportunities for these tours on Wednesday, Thursday and Friday. There are other tours and events available including a Kayaking Trip, Tour of Raleigh, Afternoon Tea, and beautiful museums. Check out the meeting website for more details. Everyone is invited to attend the meetings, meals and tours! Join us for fun, work, and fellowship! You determine how much of each.

https://www.usps.org/php/reservations_new/meetings.php?mtg_id=39

2020 Fall Conference

6-8 November 2020

Wyndham Gettysburg

Gettysburg, PA



Mark your calendars now for the 2020 D/5 Fall Conference to be held at the Wyndham Gettysburg in historic Gettysburg, PA. Along with the spectacular workshops and seminars, there will be a Ladies Tea & 1863 Fashion Luncheon. Gettysburg has much to offer including:

- Gettysburg National Military Park Museum
- Eisenhower Historic Site
- David Wills House
- The Shriver House Museum
- Seminary Ridge Museum
- Gettysburg Heritage Museum
- Horseback Riding, Bicycling & Carriage Rides

Antiques, Artifacts, Reproduction, Books and Outlet Shopping

More information can be found in the Summer Edition of the [Mark 5](#) and on the D/5 website at <https://abc-midatlantic.org/> as updates are available.



Visual distress signals

Familiarize yourself with flare requirements

Every boater should be familiar with emergency flares and their use. U.S. Coast Guard regulations require powerboats 16 feet and over and sailboats 26 feet and over to have three day/night flares onboard. Remember, flares expire 42 months after manufacture, not after purchase, so always check the expiration dates when you buy them to avoid buying old flares that will expire soon.

Flare types

Most of us are familiar with handheld flares, which resemble road flares but are made specifically for boating. Other types of flares include flare pistols, which shoot flares into the air, and small floating cans of smoke-producing flares for daytime use.

Each type of flare has different benefits. Airborne flares can be seen from greater distances, so if you are stranded, they might be best at alerting boats that are farther away. Handheld flares pinpoint your location; use them when another boat is reasonably close and heading in your direction.

Use smoke flares in daytime only as the orange smoke is more visible in bright daylight than regular flares. Smoke flares don't count toward the Coast Guard's three-flare requirement. Carrying a combination of smoke, handheld, day/night, parachute and electronic flares gives you the opportunity to use the flare best suited for your situation.

Originally designed for commercial boats and offshore use, SOLAS (Safety of Life at Sea) flares are now available to the general public. These fully waterproof, extremely bright flares don't spray or drip hot flare residue. Although more expensive than regular day/night flares, they are much brighter and last longer. SOLAS flares come in handheld, smoke, and parachute flare versions.

Consider buying more than one type of flare: handheld, smoke, airborne or parachute. Combination kits contain a variety of devices and an orange flag, which can be useful in bright daylight. Also, consider buying a new electronic flare device. The Coast Guard-approved [Weems & Plath SOS Distress Light](#) satisfies the three day/night flare requirement. Electronic flares are much safer than conventional flares and can save you money in the long run. For night use only, electronic flares come with an orange signal flag for day use.

Flare usage tips

Always wear protective gloves and hold handheld flares overboard when in use, or carry a metal or wooden pole to keep them away from passengers and the boat's deck. In a pinch, you can tape the handheld flare to the end of a boat hook and hold it overboard to light it. Don't let the flare burn down too far or it could catch your pole on fire or damage your boat hook.

Flare disposal

Unused, expired flares can still save your life. Always save a few of your most recently expired flares for emergencies, even though they don't count toward your minimum of three day/night flares. Dispose of very old flares as you would any other hazardous material. Don't throw them in the trash. Call your local fire department or wait for a hazardous waste collection day in your area. Be sure the hazardous waste collection folks know you are giving them a box or bag of flares. *—Randy Headrick*

Originally published in The Buoys, the newsletter of Cape Coral Power Squadron/22.

Published in The Compass Vol. 14 NO. 3





A BIT OF FUN



Watch Boatswain's Mate 1st Class Matt McKenzie, son of Lt/C Doug McKenzie, JN, SEO for Delhigh Power Squadron, with his crew in Cape May NJ happy to help this sea turtle that got his leg wrapped around a buoy. <https://cbsloc.al/2Y73tCg>

AMERICA'S BOATING CLUB
LEHIGH VALLEY
BRIDGE
2020-2021

COMMANDER
Cdr Keith Knoblach, AP
1026 Lehigh Street
Allentown, PA 18103
(610) 509-3526
delhighcommander@gmail.com

EXECUTIVE OFFICER
P/C Robert Rendish, P
527 Elm Street
Emmaus, PA 18049
(610) 967-2210
Robertrendish1@yahoo.com

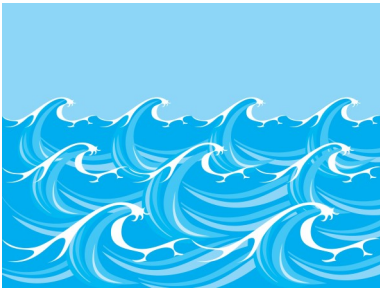
EDUCATIONAL OFFICER
Lt/C Doug McKenzie, JN
4003 Danberry Drive
Easton, PA 18045
(610) 217-7164
dougmkenzie@rcn.com

ADMINISTRATIVE OFFICER
P/C Kathleen Nowrozani, SN
6961 Sunflower Lane
Macungie, PA 18062
(610) 351-5192
K.now@mac.com

SECRETARY
P/C Jeanette Meisner, AP
444 Willow Road
Walnutport, PA 18088
(610) 760-3014
R.meisner@rcn.com

TREASURER
P/C Michael Lebeduik, III, JN
3514 Nicholas Street
Easton, PA 18045
(610) 730-2798
TJA.ML3@verizon.net

35 Funny Ocean Jokes And Puns That Will Make You Snicker More Than Just A Little. <https://thoughtcatalog.com/january-nelson/2018/04/35-funny-ocean-jokes-and-puns-that-will-make-you-snicker-more-than-just-a-little/>



Here are some live webcams from around the world so that you can watch all kinds of different boats and goings on in the marinas as well. <https://www.webcamtaxi.com/en/boats.html>

Feeling penned in and wishing you could get out? Check out what is going on in the Lehigh Valley with daily local news. <https://www.lehighvalleylive.com/>



2020-2021 Calendar of Events

Zoom Happy Hour
 Wednesday, July 29
 7pm

Ice Cream Social
 Wednesday, August 12
 Montuori Residence
 6pm

Trailerboat Rendezvous
 Saturday, August 29
 Ridley Park Marina
 TBD

September Meeting and Chili Cook-off
 Wednesday, September 2
 Star of Bethlehem Church
 6:30pm

Tacos and Social Hour
 Saturday, September 19
 Nowroozani Residence
 5pm

Sporting Clays
 Saturday, October 10
 Lehigh Valley Sporting Clays
 10am

Oktoberfest
 Saturday, October 17
 Meisner Residence
 5pm

Road Rally
 Saturday, October 24
 Stefko Shopping Center Parking Lot
 10am

November Meeting
 Wednesday, November 4
 TBD
 6pm

Beer Tasting
 Saturday, November 14
 TBD
 3pm

Wine Tasting
 Saturday, November 28
 TBD

Holiday Party
 Saturday, December 12
 TBD
 6pm

January Meeting with Soup and Salad Potluck
 Wednesday, January 6, 2021
 Star of Bethlehem Church
 6:30pm

Phantoms Game
 TBD

Founder's Day
 Wednesday, February 3, 2021
 TBD
 6pm

Bowling
 Saturday, February 6, 2021
 Hampton Lanes
 11am

Game Night
 Saturday, February 20, 2021
 Meisner Residence
 5pm

Change-of-Watch
 Saturday, March 6, 2021
 TBD
 6pm

All Calendar events are subject to change as the bridge sees fit. Please contact Kathleen at k.now@mac.com or (610) 351-5192 for more information on any scheduled event.

